

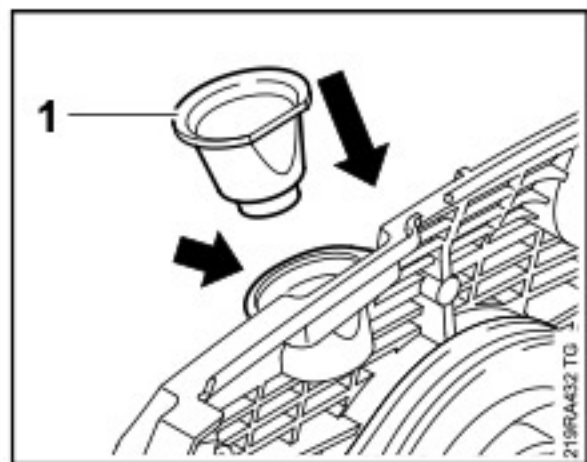
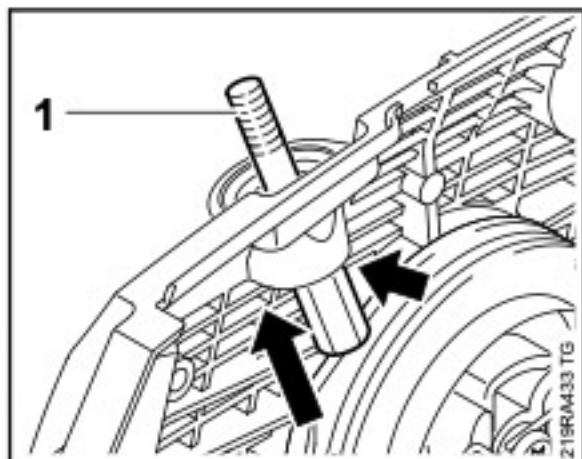


Wear on the guide bushing is accelerated by the starter rope being pulled sideways. The wall of the bushing eventually wears through and the bushing becomes loose.

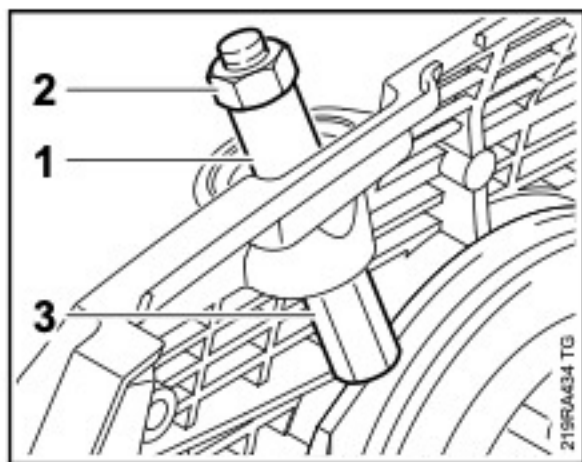
- Remove fan housing,  10.2.
- Relieve the tension of the rewind spring and remove starter rope,  10.4.



- Use a suitable tool to remove the defective guide bushing.
- Insert new guide bushing (1) in the hole of the fan housing.



- Insert screw spindle (1) of assembly tool 0000 890 2201 through the starter rope guide bushing from the inside (arrow) outwards.



- Fit thrust sleeve (1) and screw on hex nut (2).
- Tighten down hex nut, holding screw (3) steady until the bushing is tight.

The assembly tool flares the lower end of the rope bushing.

- Remove assembly tool.